

4020 TANK CUSTOM FITOUT REQUEST

Melbourne Rotomould Pty Ltd
 PH: 03 5940 4334
 Email: melro@melro.com.au
 Web: www.melro.com.au

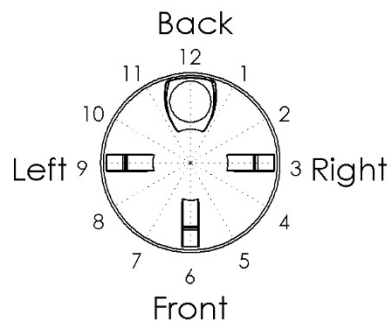
Name:
 Company:
 Phone:
 Email:
 Colour:
 This tank will be used for:

Step 1

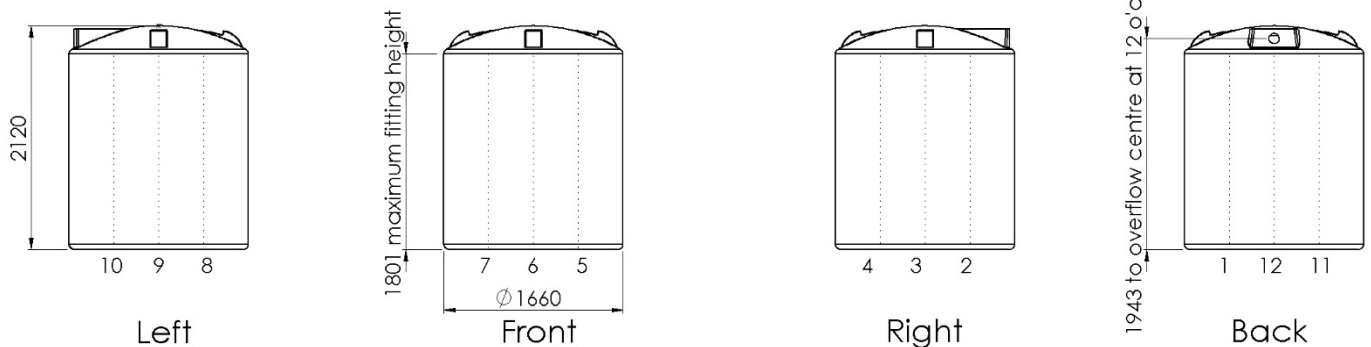
List required fittings

Code	Fittings Required	O'Clock Position	Height from Base
A			
B			
C			
D			
E			
F			
G			
H			

Step 2



Put code letter at your intended locations below



Step 3

Give this sheet to your reseller; or
 Email to melro@melro.com.au

Write reseller name & suburb here: